

DS-3WF0EC-5ACT 5 Ghz 867 Mbps 500 m Dual Elevator Wireless Bridge



The dual wireless bridge can be applied in industries, such as wireless video security, railway, transportation, power and other industries, wireless video/data transmission, wireless coverage, carrier wireless backbone network construction, Wi-Fi wireless coverage, rural information construction, and wireless network coverage. The long-distance transmission of the device can guarantee multi-channel HD video transmission.

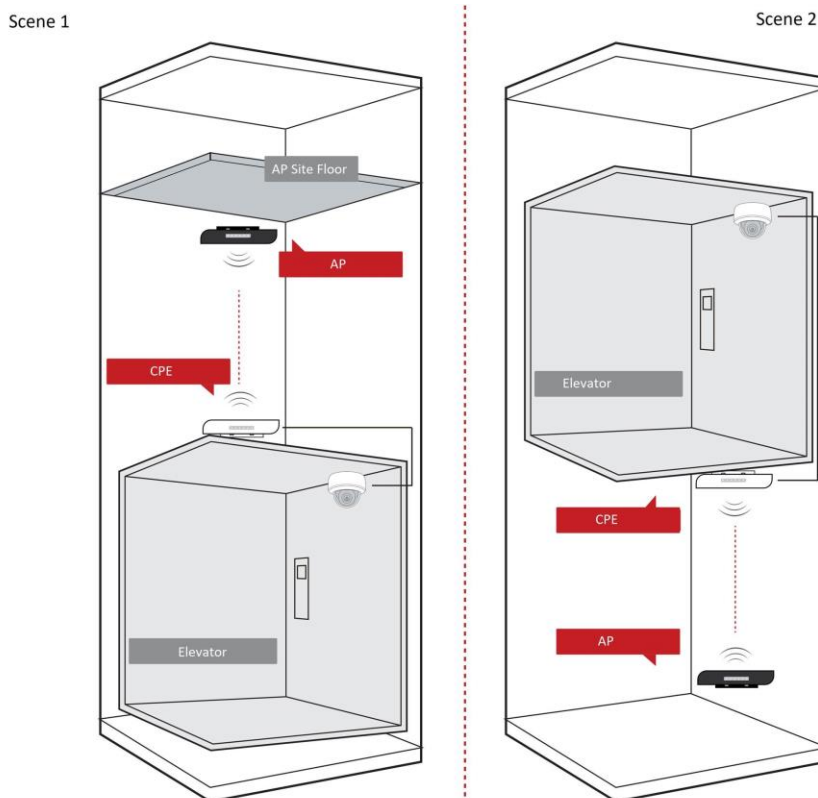
- Up to 500 m wireless transmission distance
- 867 Mbps 802.11ac wireless bridge
- Built-in 8 dBi 2 x 2 MIMO antenna
- Visualized topology management
- Real-Time alarm push technology

▪ Specification

Wireless Parameter	
Max. Transmission Rate of Air Interface	≤ 867 Mbps
Wireless Standard	IEEE 802.11/a/n/ac
Working Frequency Band	5150 MHz ~ 5250 MHz, 5250 MHz~ 5350 MHz, 5470 MHz~ 5725 MHz, 5725 MHz~ 5825 MHz
Antenna Gain	8 dBi
Antenna Angle	(H) Beamwidth [3 dB] 50° (V) Beamwidth [3 dB] 50°
Transmitting Power	22±2 dBm (Note: Transmitting power may vary with local regulations.)
Receiving Sensitivity	-61±2 dBm@AC80-MCS9
Throughput Rate	Point to point: Support up to 2-ch IPC (2MP) in Max. 0.5 KM distance and Max. 40 Mbps bandwidth
Hardware Parameter	
Network Interface	3 × 10/100 Mbps RJ45 ports
LED Indicator	Power indicator, LAN indicator, Signal intensity indicator
Reset	Hardware resetting button
Power Supply	12 VDC/1 A Passive PoE
Software Function	
Application Function	IFM, IPM, DFS, TPC
Channel Width	20/40/80 MHz
Channel Selection	Auto/manual selection
Network Protocol	NTP (network time synchronization), SADP (auto search for IP address), HTTPS (web management)
Security Mode	WPA2-PSK
Security Mechanism	Wireless network name hidden
Management Method	Web, iVMS-4200, HCP
Upgrade	Web, iVMS-4200, HCP
System Log	Syslog, Control center information
General	
Product Dimensions (W × H × D)	92 mm × 187 mm × 46 mm (3.62" × 7.36" × 1.81")
Package Dimensions (W × H × D)	256 mm × 231 mm × 86 mm (10.07" × 9.09" × 3.38")
Net Weight	0.26 kg (0.57 lb) per device
Gross Weight	0.8 kg (1.76 lb)
Packing List	Wireless Bridge × 2, Power Adapter (12 VDC, 1 A) × 2, 10/100 Mbps PoE Injector × 2, Binding Tape × 4, Quick Start Guide ×1, Regulatory Compliance and Safety Information × 1
Packing Method	Packing in pairs
Working Temperature	-30 °C to 70 °C (-22 °F to 158 °F)
Working Humidity	5% to 95% (no condensation)
Storage Temperature	-40 °C to 80 °C (-40 °F to 176 °F)
Storage Humidity	5% to 95% (no condensation)
Installation Mode	Pole Mounting
Ingress Protection	IP55
Power Consumption	2.43 W for typical (1-ch 2MP IPC), Max. 3.6 W

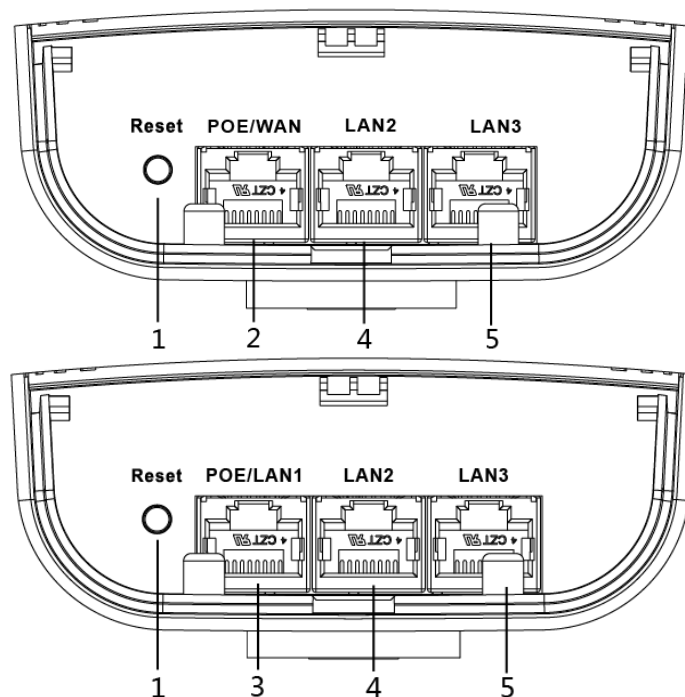
Approval	
EMC	CE-EMC (EN 55032: 2015+A11: 2020, EN IEC 61000-3-2: 2019, EN 61000-3-3: 2013+A1: 2019, EN 50130-4: 2011+A1: 2014, EN 55035: 2017+A11: 2020)
Safety	CB (AMD1:2009, AMD2:2013, IEC 62368-1: 2014 (Second Edition)), CE-LVD (EN 62368-1: 2014+A11: 2017)
Chemistry	CE-RoHS (2011/65/EU), WEEE (2012/19/EU), Reach (Regulation (EC) No.1907/2006)
Radio	EN 301 893, EN 300 440, EN 62311, EN 301 489-3, EN 301 489-17

▪ **Typical Application**



▪ **Physical Interface**

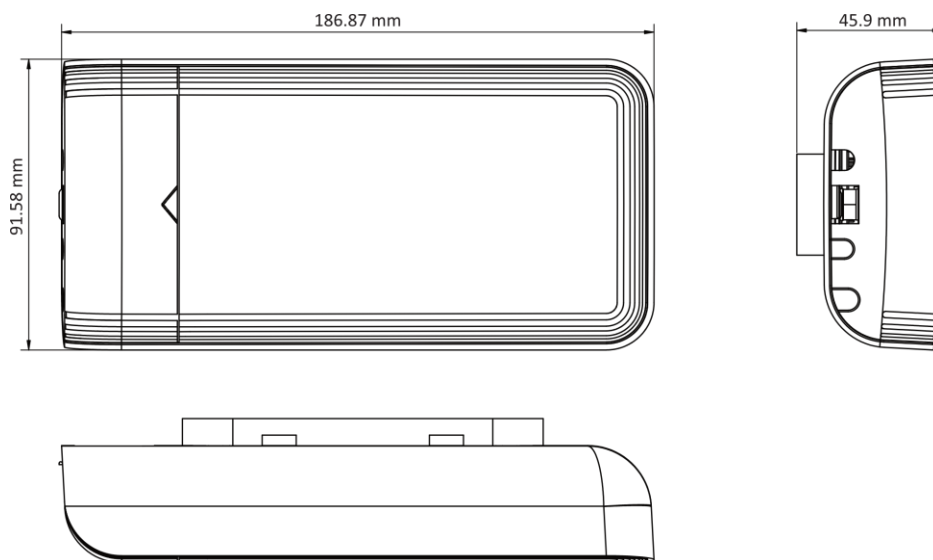
No.	Interface/Button	Description
1	Reset	Long press for 4 seconds to restore to factory settings.
2	PoE/WAN	The 10/100 Mbps adaptive RJ45 port, also can be used as a PoE port.
3	PoE/LAN 1	The 10/100 Mbps adaptive RJ45 port, also can be used as a PoE port.
4/5	LAN 2/LAN 3	The 10/100 Mbps adaptive RJ45 port.



▪ **Available Model**

- DS-3WF0EC-5ACT
- DS-3WF0EC-5ACT-AP
- DS-3WF0EC-5ACT-ST

▪ **Dimension**



Headquarters

No.555 Qianmo Road, Binjiang District,
Hangzhou 310051, China
T +86-571-8807-5998
www.hikvision.com



Follow us on social media to get the latest product and solution information.

